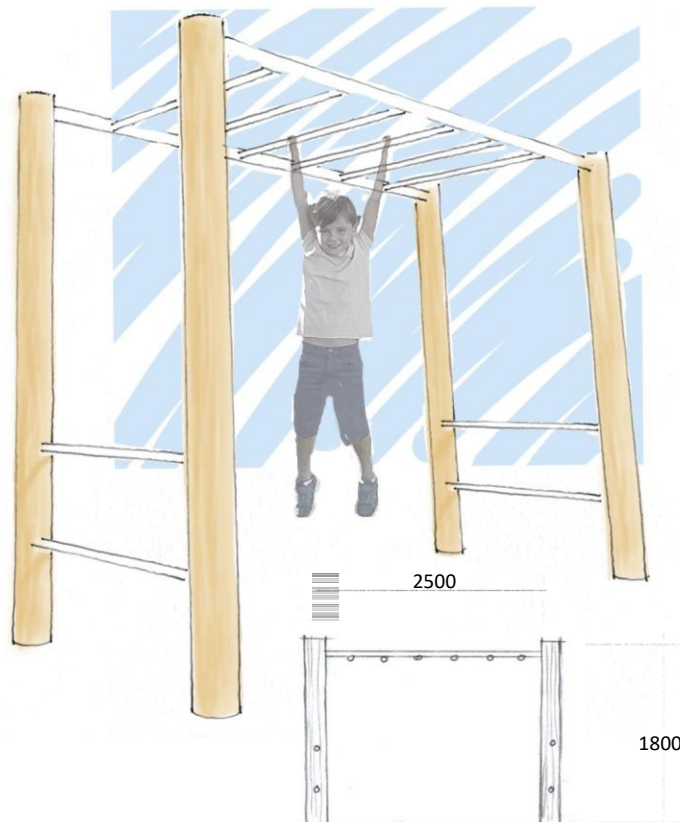


## MONKEY BARS

All Ages + Group + Interactive + Toddler Play + Balance + Climbing + Nature play



### Climbing Frame & – Monkey Bars

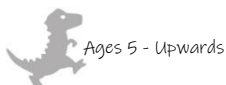
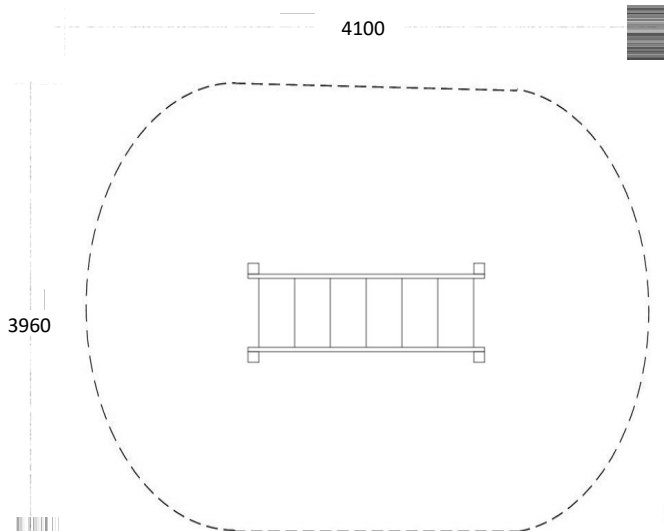
Classic Monkey Bar Option

#### Features:

- MONKEY BAR Frame Options -  
Hardwood Bush Log  
Stainless Steel  
Galvanised Steel  
Power Coated Steel
- Or Steel CHS Frame
- 60mm Dia Steel CHS Monkey Bars
- 2 Pack Industrial Coating
- All Timber frames are available in  
Square Or Circular hardwood options

#### Technical Specifications:

- 2500 X 900 X H 1800 mm
- Free Height of Fall : 1.5 m – 2.0 m



This is a conceptual design only and may differ from manufacturing drawings.  
Colour is depicted only and should be referred to manufacture's colour swatches  
The copyright of this drawing remains with PlayEvolution Playgrounds and may  
not be reproduced without prior written consent.  
2022 COPYRIGHT 235 ENTERPRISES PTY. LTD T/A PLAY EVOLUTION PLAYGROUNDS

